

We support the  
innovations of customers

# Leak - Proof Flow & Control Solution Partner

The Best Partner  
for Value Creation

**S-LOK<sup>®</sup>** Test Cock Valves

**HanSun**

한선엔지니어링(주)  
HANSUN ENGINEERING CO., LTD.



HanSun

## Product Information

### Features

- Pressure rating up to 5000psi(344bar)@100°F(38°C).
- Temperature rating from -65°F(38°C) to 450°F(232°C) with standard PTFE packing, and up to 600°F (315°C) with optional PEEK packing.
- Choice of materials : Standard S316 and Brass.

### Pressure & Temperature Ratings

Valve Material	Stem	with PTFE packing (Standard)		with PEEK packing (Optional)	
		Temperature Rating	Pressure Rating @100°F (38 °C )	Temperature Rating	Pressure Rating @100°F (38 °C )
Stainless steel	Metal to metal	-65 to 450°F (-54 to 232°C)	5,000psig (344bar)	-65 to 600°F (-54 to 315°C)	3,130psig (215bar)
Brass	Metal to metal	-65°F to 400°F (-54°C to 204)	3,000psig (206bar)	-65°F to 400°F (-54°C to 204)	3,000psig (206bar)

### Testing

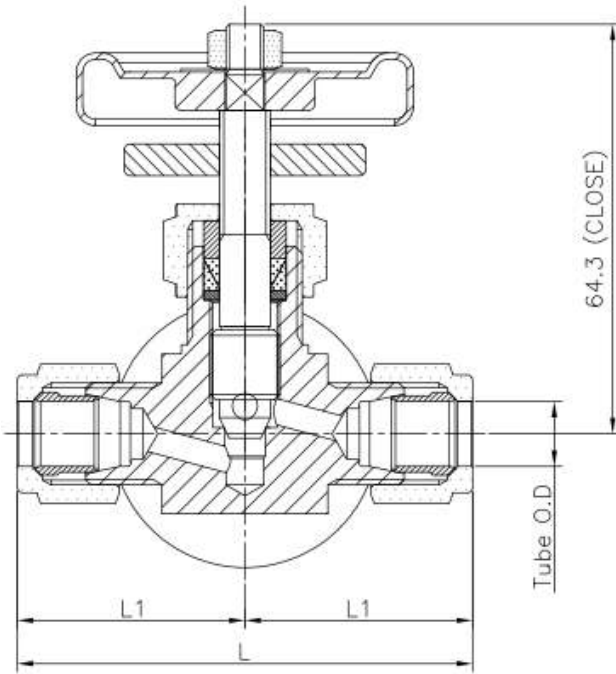
- Every Test Cock valve is factory tested with Nitrogen@1,000psig(69bar) for leakage at the seat to a maximum allowable leak rate of 0.1 SSCM.

### Sour Gas Service

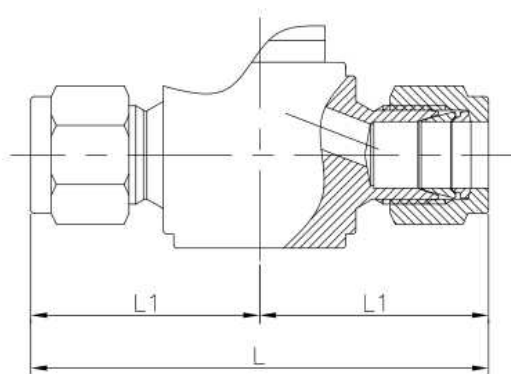
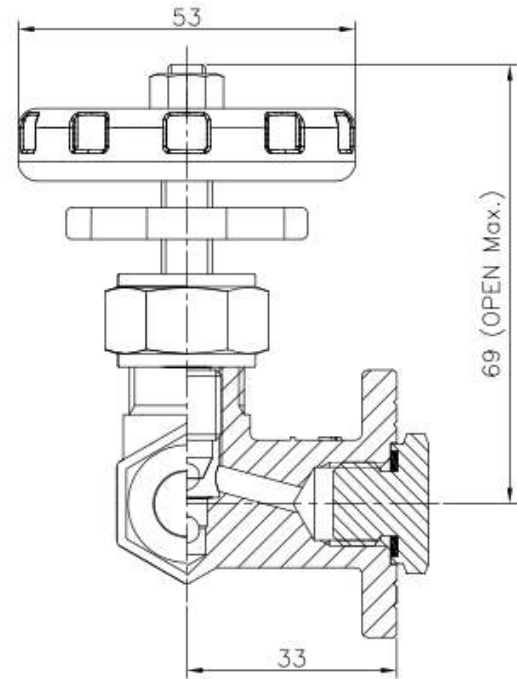
- For use valve in sour gas, materials for wetted components are selected in accordance with NACE MR0175 latest revision.

## Product Information

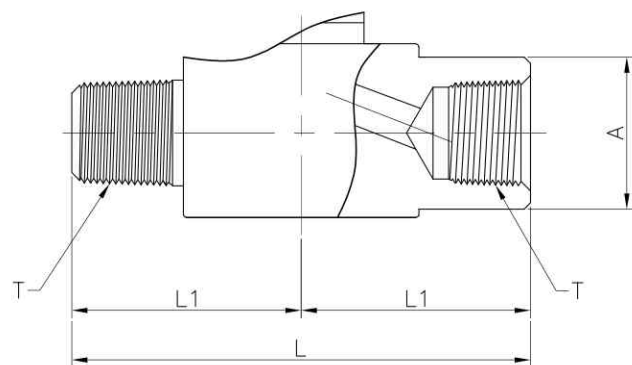
### Product Variations



BITE TYPE



LOK TYPE



THREAD TYPE

## Product Information

### BITE Type Tubing

Unit : mm

Designations	Tube O.D	L1	L	Max. Pressure (bar)	
				S316	BRASS
STV-B-06M	6	32.8	65.6	340	40
STV-B-08M	8	35.8	71.6	340	40
STV-B-10M	10	36.8	73.6	340	40
STV-B-12M	12	37.8	75.6	340	40

### LOK Type Tubing

Unit : mm

Designations	Tube O.D	L1	L	Max. Pressure (bar)	
				S316	BRASS
STV-S-6M	6	31.7	63.4	450	40
STV-S-8M	8	32.6	65.2	450	40
STV-S-10M	10	33.5	67	450	40
STV-S-12M	12	36	72	450	40
STV-S-2T	1/8"	29.2	58.4	450	40
STV-S-4T	1/4"	31.7	63.4	450	40
STV-S-6T	3/8"	33.2	66.4	450	40
STV-S-8T	1/2"	36	72	450	40

## Product Information

### Male Thread Type Tubing

Unit : mm

Designations	T	L1	L	Max. Pressure (bar)	
				S316	BRASS
STV-M-02R	PT 1/4"	28	56	450	40
STV-M-03R	PT 3/8"	29	58	450	40

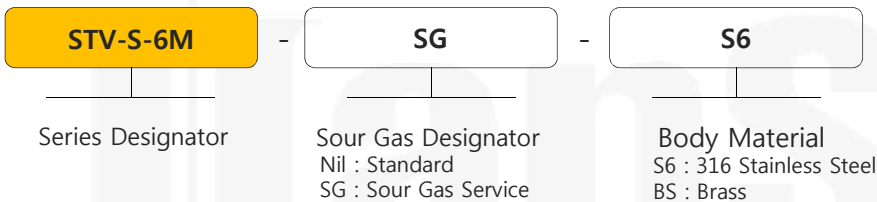
### Female Thread Type Tubing

Unit : mm

Designations	T	A	L1	L	Max. Pressure (bar)	
					S316	BRASS
STV-F-02R	PT 1/4"	17	25	50	450	40
STV-F-03R	PT 3/8"	22	32	64	450	40

## Ordering Information

- Selection the applicable options from designators listed below.



# 3Way Test Cock Valves

S-LOK®



27 Noksansandan361-ro, Gangseo-gu  
(Songjeong-dong), Busan, Korea  
Tel : +82-51-899-6700, Fax : +82-51-899-6799  
E-Mail : [overseas@ehansun.co.kr](mailto:overseas@ehansun.co.kr)  
[sales@ehansun.co.kr](mailto:sales@ehansun.co.kr)  
Website : [www.ehansun.co.kr](http://www.ehansun.co.kr), [www.slok.co.kr](http://www.slok.co.kr)